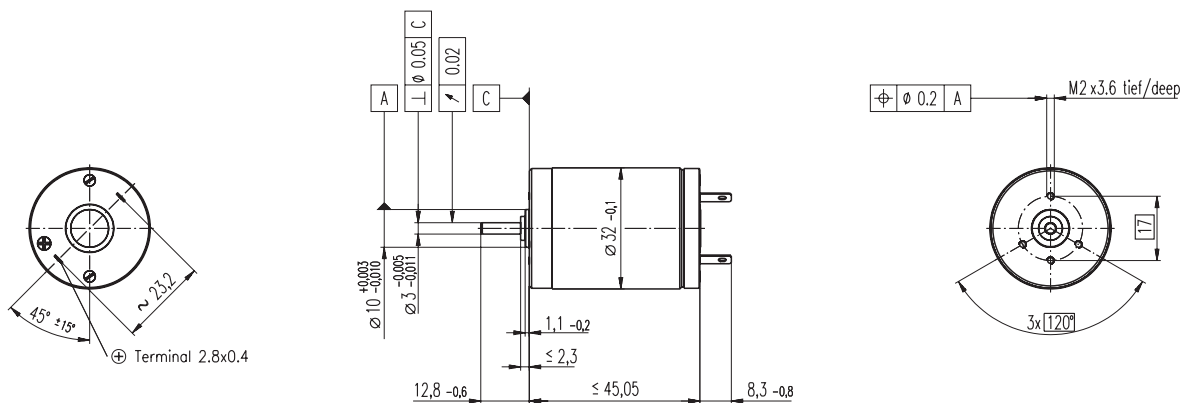


# S 2332 Ø32 mm, Graphite Brushes, 11 Watt, CE approved



M 1:2

- Stock program
- Standard program
- Special program (on request)

### Order Number

2332. ... -12.256-200 (Insert winding number)

Winding number

900	904	905	906	908	909	910	911	912	913
-----	-----	-----	-----	-----	-----	-----	-----	-----	-----

### Motor Data

Values at nominal voltage		900	904	905	906	908	909	910	911	912	913	
1	Nominal voltage	Volt	4.5	9.0	9.0	12.0	18.0	24.0	30.0	36.0	48.0	48.0
2	No load speed	rpm	7730	8510	7370	7930	7980	8830	8770	8400	8930	7390
3	No load current	mA	160	82.8	68.0	55.2	36.5	31.1	24.5	19.2	15.6	12.1
4	Nominal speed	rpm	6070	6410	5120	5740	5820	6690	6640	6230	6780	5190
5	Nominal torque (max. continuous torque)	mNm	6.32	13.3	15.4	16.1	16.9	17.0	17.3	17.3	17.4	17.4
6	Nominal current (max. continuous current)	A	1.50	1.50	1.48	1.23	0.847	0.703	0.565	0.448	0.359	0.298
7	Stall torque	mNm	52.3	66.4	58.8	66.2	67.4	74.5	74.7	69.4	74.5	59.9
8	Starting current	A	11.2	7.10	5.42	4.84	3.25	2.96	2.34	1.73	1.48	0.986
9	Max. efficiency	%	60	72	72	75	77	78	79	79	80	78
Characteristics			900	904	905	906	908	909	910	911	912	913
10	Terminal resistance	Ω	0.403	1.27	1.66	2.48	5.54	8.12	12.8	20.8	32.5	48.7
11	Terminal inductance	mH	0.0417	0.167	0.224	0.357	0.821	1.21	1.94	3.06	4.85	7.05
12	Torque constant	mNm / A	4.68	9.35	10.8	13.7	20.8	25.2	31.9	40.0	50.4	60.8
13	Speed constant	rpm / V	2040	1020	881	698	460	379	300	239	189	157
14	Speed / torque gradient	rpm / mNm	176	138	135	126	123	122	120	124	122	126
15	Mechanical time constant	ms	39.5	28.1	27.7	26.1	24.8	24.3	24.0	23.9	23.6	23.7
16	Rotor inertia	gcm <sup>2</sup>	21.5	19.4	19.6	19.7	19.3	19.0	19.0	18.4	18.5	18.0

### Specifications

Thermal data		
17	Thermal resistance housing-ambient	13.5 K / W
18	Thermal resistance winding-housing	2.2 K / W
19	Thermal time constant winding	8.51 s
20	Thermal time constant motor	1170 s
21	Ambient temperature	-20 ... +100°C
22	Max. permissible winding temperature	+125°C
Mechanical data (ball bearings)		
23	Max permissible speed	9200 rpm
24	Axial play	0.5 - 0.15 mm
25	Radial play	0.025 mm
26	Max. axial load (dynamic)	3.2 N
27	Max. force for press fits (static)	64 N
28	Max. radial loading, 5 mm from flange	16 N

### Other specifications

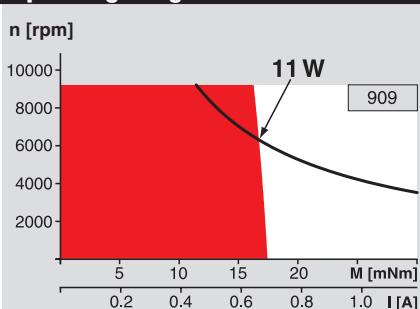
29	Number of pole pairs	1
30	Number of commutator segments	13
31	Weight of motor	174 g

Values listed in the table are nominal.  
Explanation of the figures on page 47.

### Option

Sleeve bearings in place of ball bearings  
Pigtails in place of terminals

### Operating Range



### Comments

- Continuous operation**  
In observation of above listed thermal resistance (lines 17 and 18) the maximum permissible winding temperature will be reached during continuous operation at 25°C ambient.  
= Thermal limit.
- Short term operation**  
The motor may be briefly overloaded (recurring).
- Assigned power rating**

### maxon Modular System

Overview on page 16 - 21

**Planetary Gearhead**  
Ø32 mm  
0.4 - 2.0 Nm  
Page 228

**Planetary Gearhead**  
Ø32 mm  
0.75 - 4.5 Nm  
Page 229

**Spur Gearhead**  
Ø38 mm  
0.1 - 0.6 Nm  
Page 234

